



DEUTZ-FAHR AMERICA

# FRONT LOADER INFORMATION

*USA MARKET*

## Deutz-Fahr 4E Series Tractors

Deutz-Fahr Tractor Models	4070E, 4080E
Loader Manufacturer	Ansung
Loader Model	CRX3030 Utility
Loader Design	Non Self-leveling
Max. Lift Height (pivot pin)	118.5 in / 3011 mm
Height Under Level Bucket	107.9 in / 2742 mm
Reach at Ground Level	82.5 in / 2097 mm
Reach at Max. Height	15.2 in / 385 mm
Digging Depth	6.4 in / 162 mm
Lift Capacity to Full Height (pivot pin)	2,500 lb / 1130 kg
Breakout Force at Ground Level (pivot pin)	TBA
Max. Curl Angle	41 degrees
Max. Dump Angle	56.8 degrees
Bucket Type	74 inch width – skid steer attachment

## Deutz-Fahr 5080G TB Low Profile Tractors

Deutz-Fahr Tractor Models	5080G TB Low Profile
Loader Manufacturer	Quicke (Alo)
Loader Model	X3 Utility
Loader Design	Non Self-leveling
Max. Lift Height (pivot pin)	132.6 in / 3370 mm
Height Under Level Bucket	123.5 in / 3140 mm
Reach at Ground Level	92.1 in / 2340 mm
Reach at Max. Height	33.8 in / 860 mm
Digging Depth	6.2 in / 160 mm
Lift Capacity to Full Height (pivot pin)	3,240 lb / 1470 kg
Breakout Force at Ground Level (pivot pin)	4,938 lb / 2240 kg
Max. Curl Angle	36 degrees
Max. Dump Angle	60 degrees
Bucket Type	83 inch width – skid steer or Euro-type attachment

## Deutz-Fahr 5G Series Tractors

Deutz-Fahr Tractor Models	5100G, 5110G, 5120G	
Loader Manufacturer	Quicke (Alo)	
Loader Model	X4S Utility	Q4S Agricultural
Loader Design	Mechanical Self-leveling	Mechanical Self-leveling
Max. Lift Height (pivot pin)	141.3 in / 3590 mm	147.6 in / 3750 mm
Height Under Level Bucket	131.8 in / 3350 mm	135.4 in / 3440 mm
Reach at Ground Level	92.9 in / 2360 mm	98 in / 2490 mm
Reach at Max. Height	36.1 in / 930 mm	33.8 in / 860 mm
Digging Depth	7 in / 180 mm	7 in / 180 mm
Lift Capacity to Full Height (pivot pin)	2,843 lb / 1290 kg	3,571 lb / 1620 kg
Breakout Force at Ground Level (pivot pin)	4,541 lb / 2060 kg	4,651 lb / 2110 kg
Max. Curl Angle	37 degrees	46 degrees
Max. Dump Angle	53 degrees	59 degrees
Bucket Type	83 inch width – skid steer or Euro-type attachment	83 inch width - Euro-type attachment

## Deutz-Fahr 5 Series Tractors

Deutz-Fahr Tractor Models	5105, 5125	
Loader Manufacturer	Quicke (Alo)	
Loader Model	X4S Utility	Q4S Agricultural
Loader Design	Mechanical Self-leveling	Mechanical Self-leveling
Max. Lift Height (pivot pin)	143.3 in / 3640 mm	149.2 in / 3790 mm
Height Under Level Bucket	133.8 in / 3400 mm	137 in / 3480 mm
Reach at Ground Level	94 in / 2390 mm	99.2 in / 2520 mm
Reach at Max. Height	41.3 in / 1050 mm	38.8 in / 990 mm
Digging Depth	7 in / 180 mm	7 in / 180 mm
Lift Capacity to Full Height (pivot pin)	2,843 lb / 1290 kg	3,571 lb / 1620 kg
Breakout Force at Ground Level (pivot pin)	4,541 lb / 2060 kg	4,651 lb / 2110 kg
Max. Curl Angle	37 degrees	46 degrees
Max. Dump Angle	53 degrees	59 degrees
Bucket Type	83 inch width – skid steer or Euro-type attachment	83 inch width - Euro-type attachment

## Deutz-Fahr 6 Series Tractors

Deutz-Fahr Tractor Models	6130, 6140 Power Shift and TTV
Loader Manufacturer	Quicke (Alo)
Loader Model	Q4S Agricultural
Loader Design	Mechanical Self-leveling
Max. Lift Height (pivot pin)	147 in / 3740 mm
Height Under Level Bucket	135 in / 3430 mm
Reach at Ground Level	94 in / 2390 mm
Reach at Max. Height	26.7 in / 680 mm
Lift Capacity to Full Height (pivot pin)	4,563 lb / 2070 kg
Breakout Force at Ground Level (pivot pin)	5,025 lb / 2280 kg
Bucket Type	83 inch width - Euro-type attachment

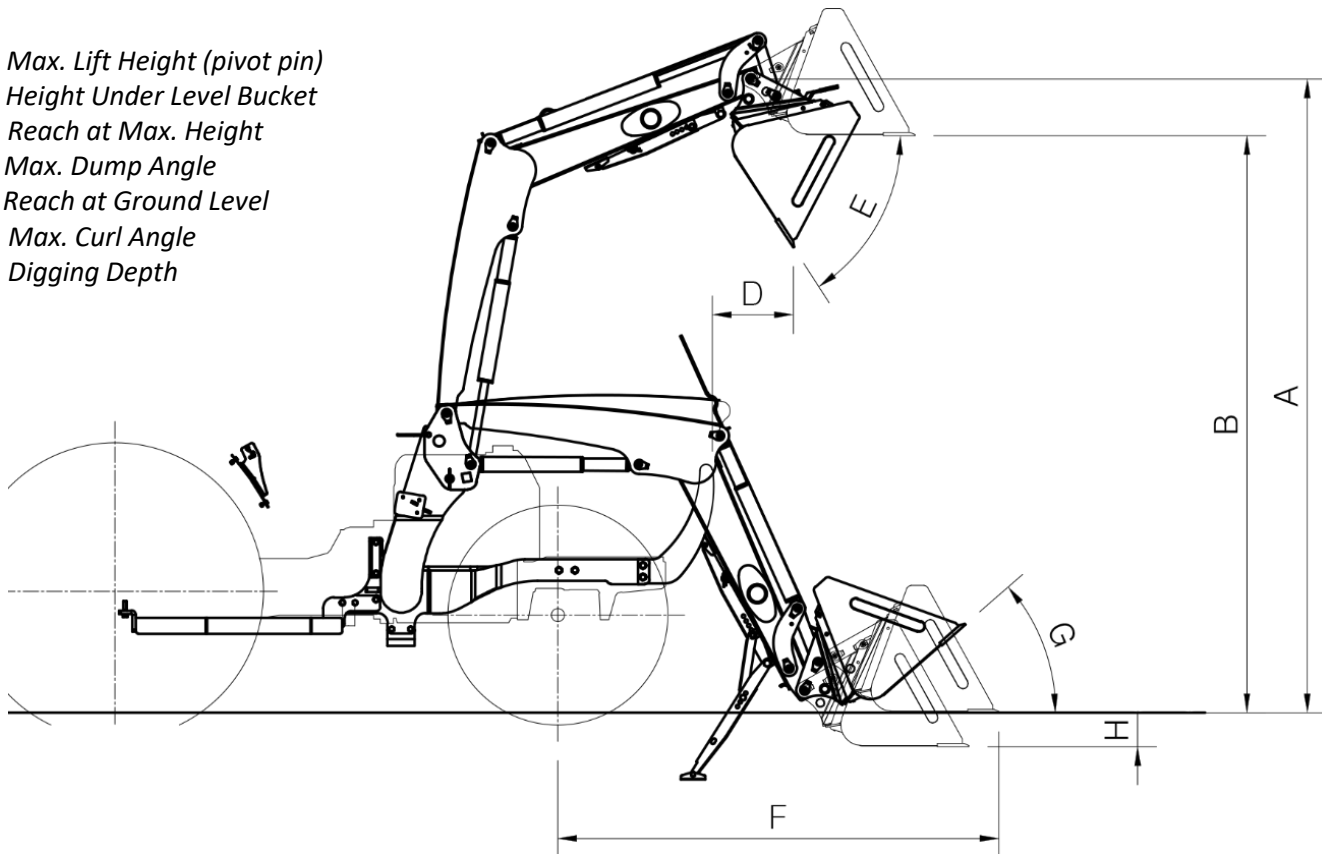
## Deutz-Fahr 6 Series Agrottron Tractors

Deutz-Fahr Tractor Models	6155, 6165, 6175, 6215 Power Shift, RC Shift, TTV	6215 Power Shift, RC Shift, TTV
Loader Manufacturer	Quicke (Alo)	
Loader Model	Q6M Agricultural	Q7M Agricultural
Loader Design	Mechanical Self-leveling	Mechanical Self-leveling
Max. Lift Height (pivot pin)	169.2 in / 4300 mm	178.3 in / 4530 mm
Height Under Level Bucket	157 in / 3990 mm	166.1 in / 4220 mm
Reach at Ground Level	105.9 in / 2690 mm	108.2 in / 2750 mm
Reach at Max. Height	34.2 in / 870 mm	N/A
Digging Depth	5.1 in / 130 mm	7 in / 180 mm
Lift Capacity to Full Height (pivot pin)	5,224 lb / 2370 kg	5,048 lb / 2290 kg
Breakout Force at Ground Level (pivot pin)	6,878 lb / 3120 kg	6,746 lb / 3060 kg
Max. Curl Angle	47 degrees	50 degrees
Max. Dump Angle	57 degrees	55 degrees
Bucket Type	95 inch width – Euro-type attachment	102 inch width - Euro-type attachment

## Deutz-Fahr 7 Series Agrottron Tractors

Deutz-Fahr Tractor Models	7250 TTV
Loader Manufacturer	Quicke (Alo)
Loader Model	Q8M Agricultural
Loader Design	Mechanical Self-leveling
Max. Lift Height (pivot pin)	190.9 in / 4850 mm
Height Under Level Bucket	178.7 in / 4540 mm
Reach at Ground Level	114.5 in / 2910 mm
Reach at Max. Height	N/A
Digging Depth	5.1 in / 130 mm
Lift Capacity to Full Height (pivot pin)	7,076 lb / 3210 kg
Breakout Force at Ground Level (pivot pin)	8,884 lb / 4030 kg
Max. Curl Angle	46 degrees
Max. Dump Angle	54 degrees
Bucket Type	102 inch width - Euro-type attachment

- A: Max. Lift Height (pivot pin)
- B: Height Under Level Bucket
- D: Reach at Max. Height
- E: Max. Dump Angle
- F: Reach at Ground Level
- G: Max. Curl Angle
- H: Digging Depth



Information listed in this document is the manufacturer's calculated estimates. Values can vary based on machine options, equipment and configuration.



Deutz-Fahr and its logos are trademarks of Same Deutz-Fahr Italia S.P.A. in the U.S. and other countries used under license by PFG America, LLC. PFG America and logo are trademarks licensed to PFG America, LLC, which is the exclusive distributor of the Deutz-Fahr brand in the USA. Other logos are the trademarks of their respective owners. The standard and optional equipment and the availability of individual models might vary from one country to the next. PFG America reserves the right to undertake modifications without prior notice to the design and technical equipment at all times without any obligation whatsoever to make such modifications to units already sold. This brochure is for descriptive purposes only and while reasonable efforts were made to ensure that the specifications, descriptions, and illustrations in this brochure are correct at the time of printing, these are also subject to change without prior notice. Illustrations might show optional equipment, and might not show all standard equipment. PFG America disclaims all representations and warranties, express or implied, or any liability from the use or reliance upon this brochure. Power and other specifications are based on various standards or recommended practices not addressed herein. ©2019 PFG America, LLC. All Rights Reserved.