

Technical Data		6135 RV Shift	6135 TTV
<b>ENGINE</b>			
Manufacturer		Deutz-Fahr	Deutz-Fahr
Model		FARMotion	FARMotion
Emission level		Tier 4	Tier 4
Cylinders / Displacement	no. / liters	4 / 3.8	4 / 3.8
Turbocharger with intercooler		•	•
Max. power @ 2,000 rpm	hp	136	136
Max. torque @ 1,600 rpm	lb-ft / Nm	401 / 544	401 / 544
Torque increase	%	28%	28%
Visco fan		○	○
Exhaust gas recirculation (EGR)		External, water-cooled	External, water-cooled
Exhaust after-treatment		SCR	SCR
Fuel tank capacity	gallons/liters	42/160	42/160
DEF tank capacity	gallons/liters	3.2/12	3.2/12
<b>TRANSMISSION</b>			
Manufacturer		SDF	SDF
Hydraulic power shuttle with modulation control (5 adjustable settings)		•	•
Speeds		20 speeds 2 ranges (field/transport)	Infinite speeds 2 ranges (field/transport)
Stop&Go system		•	-
Max. speed	mph	25	25
Hydraulic parking brake		•	•
Push button 4wd activation		•	•
Push button diff. lock activation (front and rear)		•	•
Front axle suspension		•	•
Rear PTO speeds		540/540E/1000	540/540E/1000
Front PTO 1000		○	○
<b>HYDRAULICS SYSTEM</b>			
System type		Closed center load sensing	Closed center load sensing
Flow rate to implement system	gpm	32	32
Rear remote valves		3 standard	4 standard
Remote valve control		3 mechanical	2 electric / 2 mechanical
Electronically controlled rear hitch (EHR)		•	•
Rear hitch lift capacity	lb	15,400	15,400
Rear hitch category		II / III	II / III
Front linkage		○	○
Lifting capacity of front linkage	lb	6,300	6,300
Hydraulic trailer braking system		○	○

- = N/A    • = Standard equipment    ○ = optional

Technical Data		6135 RV Shift	6135 TTV
<b>CAB</b>			
Cab suspension		Suspended cab	Suspended cab
2 cab doors		•	•
Instrument panel in dash		InfoCentrePro	InfoCentrePro
Driver's seat		Air-suspended	Air-suspended
Instructor's seat		•	•
Air conditioning		•	•
Sunroof		•	•
<b>DIMENSIONS AND WEIGHTS</b>			
Wheelbase (A)	mm/in	2,490/98	2,490/98
Length (B)	mm/in	4,520/178	4,520/178
Width (C) (Maximum)	mm/in	2,431/96	2,431/96
Height (D: Ground to top of roof)	mm/in	2,860/113	2,860/113
Total unladen weight	kg/lb	4,740/10,450	4,740/10,450
Maximum permitted total weight	kg/lb	8,005/17,650	8,005/17,650



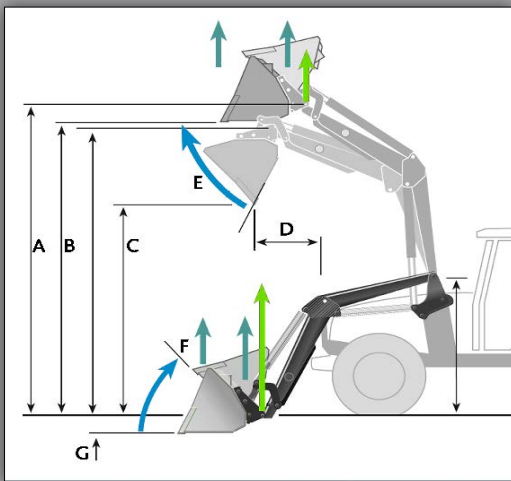
C

D



A

B



Series (& Loader)		<b>6135 FZ 39-23</b>	
<b>DIMENSIONAL SPECIFICATIONS</b>			
A	Maximum lift height at pivot point	in	151
B	Maximum lift height under level bucket	in	143
C	Clearance with bucket dumped	in	110
D	Reach at maximum lift height	in	28
E	Maximum dump angle (full lift height)	deg	57
F	Maximum rollback angle (ground level)	deg	44
G	Digging depth	in	8.3

<b>LIFT CAPACITY at 2828psi (195 bar)</b>		
At pivot pin, max lift height	lbf	3,417
At pivot pin, ground level	lbf	5,070
At 31.5" forward of pivot point, max lift height	lbf	3,417
At 31.5" forward of pivot point, ground level	lbf	5,070

<b>Bucket Rollback Force at 31.5" / 800mm forward of pivot point</b>		
At ground level	lbf	6,415
Weight (loader boom only)	lbs	1,331